

H5A DUAL HEAD CAMERA

2 x 3 MP

2 x 5 MP

This cost-effective and low profile dual-sensor camera brings enhanced security to any site by increasing coverage and minimizing blind spots for those hard to secure areas. Built with small spaces in mind, the H5A Dual Head provides areas such as hallways, stairwells, and corner intersections, or any application that requires the coverage of two cameras installed in close proximity with high imaging quality, even with its small footprint. The H5A Dual Head camera's advanced analytic capabilities further improve situational awareness by enabling security teams to respond swiftly to potentially critical events.



FEATURES



NEXT-GENERATION VIDEO ANALYTICS

Detects more objects with expanded object classification and greater accuracy for faster responses, even in crowded scenes.



COVID-19 RESPONSE TECHNOLOGY

Features Avigilon video analytics for Occupancy Counting and No Face Mask Detection, supporting facilities' health and safety efforts to curb the spread of COVID-19.



ONVIF® COMPLIANT

Native ONVIF Profile S, T, G, and M compliance allows easy integration with existing ONVIF infrastructures.



IMPROVED COVERAGE, MINIMAL BLIND SPOTS

Provides increased area coverage, while minimizing blind spots for enhanced security with a single camera installation, for long hallways, L-shaped hallway intersections, or stairwells to monitor both up and down staircases.



COST-EFFECTIVE

As a dual-head sensor, sites can lower their overall deployment costs by reducing camera count, network infrastructure, power and cabling, installation labor, and VMS licensing costs.



FIPS 140-2 COMPLIANT

Brings increased data security with FIPS-compliant cryptography enabled on cameras².

ONVIF is a trademark of Onvif, Inc.

² Optional purchase of FIPS Level 1 camera license.

SPECIFICATIONS

IMAGE PERFORMANCE		2 × 3.0 MP	2 × 5.0 MP
Image Sensor		1/2.7" progressive scan CMOS	
Max Resolution (H x V) and Aspect Ratio		(4:3) 2048 x 1536	(4:3) 2592 x 1944
2x Image Sensor, Max Resolution		4096 x 1536	5184 x 1944
Dynamic Range	WDR Off:	Up to 82 dB	
	WDR On:	Up to 120 dB	
Max Image Rate (60 Hz/50 Hz)	Analytics ¹	24 / 25 fps	15 / 12.5 fps
	High Framerate mode	30 / 25 fps	24 / 20 fps
Bandwidth Management		HDSM SmartCodec technology; Idle scene mode	
3D Noise Reduction Filter		Yes	

¹ Maximum image rate with analytics enabled on all sensors.

LENS AND IR ILLUMINATION	
Lens	3.35 - 7.0 mm, F/1.93 remote focus and zoom, fixed iris
IR Illumination Max Distance ² (high power 850 nm LEDs)	Wide: 15 m (49 ft) Tele: 30 m (98 ft)
Minimum Illumination	0.1 lux in color mode, 0.05 lux in monochrome mode, 0 lux with IR on
Horizontal Angle of View	43° – 91°
Vertical Angle of View	32° – 67°

² IR illumination power may be reduced at higher operating temperatures.

IMAGE CONTROL	
Image Compression Method	H.264 HDSM SmartCodec, H.265 HDSM SmartCodec, Motion JPEG
Streaming	Multi-stream H.264, Multi-stream H.265, Motion JPEG
Motion Detection	Pixel motion: Selectable sensitivity and threshold. Classified object detection
Camera Tamper Detection	Yes, when analytics are enabled
Electronic Shutter Control	Automatic, Manual (1/7.5 to 1/8000 sec)
Iris Control	N/A
Day/Night Control	Automatic, Manual
Flicker Control	50 Hz, 60 Hz
White Balance	Automatic, Manual
Backlight Compensation	Adjustable
Privacy Zones	Up to 64 zones

NETWORK	
Network	100BASE-TX, RJ45 Connector, CAT5e Cabling
ONVIF	ONVIF compliance version Profile S, Profile T, Profile G, and Profile M (www.onvif.org)
Security	Password protection, HTTPS encryption, digest authentication, WS authentication, user access log, 802.1x port based authentication, FIPS 140-2 L1 (with optional camera license)
Protocols	IPv6, IPv4, HTTP, HTTPS, SOAP, DNS, NTP, RTSP, RTCP, RTP, TCP, UDP, IGMPv2, ICMP, DHCP, Zeroconf, ARP, HSTS
Streaming Protocols	RTP/UDP, RTP/UDP multicast, RTP/RTSP/TCP, RTP/RTSP/HTTP/TCP, RTP/RTSP/HTTPS/TCP, HTTP
Device Management Protocols	SNMP v2c, SNMP v3

PERIPHERALS

USB Port	USB 2.0
Onboard Storage	2 x microSD/microSDHC/microSDXC slots – video speed class card required. Class V10 or better recommended.

AUXILIARY I/O

Audio Compression Method	Opus, G.711 PCM 8 kHz
Audio Input/Output	Line level input and output
External I/O Terminals	Alarm In, Alarm Out

MECHANICAL	DIRECT SURFACE MOUNT	SURFACE MOUNT WITH JUNCTION BOX	PENDANT MOUNT WITH NPT ADAPTER	PENDANT MOUNT WITH NPT + WALL MOUNT
Dimensions (LxWxH)	218 mm x 118 mm x 82 mm; 8.6" x 4.6" x 3.2"	237 mm x 136 mm x 120 mm; 9.3" x 5.4" x 4.7"	230 mm x 129 mm x 146 mm; 9.0" x 5.0" x 5.8"	230 mm x 260 mm x 195 mm; 9.0" x 10.2" x 7.7"
Weight	1.25 kg (2.75 lbs)	2.33 kg (5.13 lbs)	1.67 kg (3.67 lbs)	3.07 kg (6.75 lbs)
Body	Aluminum			
Finish	Cast, powder coated, close to RAL9002			
Adjustment Range	Pan: 180°, Azimuth: 360°, Tilt: 30° – 95° tilt (recommended), 10° – 95° tilt (maximum)			

ELECTRICAL

Power Consumption	13 W max
Power Source	PoE: IEEE802.3af Class 3 compliant
RTC Backup Battery	3V manganese lithium
Memory	2 GB RAM, 512 MB Flash

ENVIRONMENTAL

Operating Temperature	-30 °C to +60 °C (-22 °F to 140 °F), in enclosed space -30 °C to +65 °C (-22 °F to 149 °F), with ambient convection Cold start delay of up to 10 min at -30 °C (-22 °F). Camera may restart during startup delay
IR Illuminator Behavior	IR illuminator will turn off if the temperature is 55 °C (131 °F) or higher. The illuminator will operate at 50% power if the temperature is between 45 °C (113 °F) and 54 °C (129 °F). The illuminator will operate at 50% power if the temperature is below -25 °C (-13 °F), with ambient convection.
Storage Temperature	-10 °C to +70 °C (14 °F to 158 °F)
Humidity	0 - 95% non-condensing

CERTIFICATIONS

Certifications/Directives	UL, cUL, CE, UKCA, ROHS, REACH, RCM, KC, EAC, BIS, NOM
Safety	UL 62368-1, CSA 62368-1, IEC/EN 62368-1, IEC 62471
Environmental	UL/CSA/IEC 60950-22, IEC 62262 IK10 Impact Rating IEC 60529 IP66 and IP67 Weather Rating (H5DH-DO1-IR models only)
Electromagnetic Emissions	FCC Part 15 Subpart B Class B, IC ICES-003 Class B, EN 55032 Class B, EN 61000-6-3, EN 61000-3-2, EN 61000-3-3, EN 50121-4
Electromagnetic Immunity	EN 55035, EN 61000-6-1, EN 50130-4, EN 50121-4

ANALYTICS SPECIFICATIONS

SUPPORTED ANALYTICS EVENTS

Objects in Area	The event is triggered when the selected object type moves into the region of interest.
Object Loitering	The event is triggered when the selected object type moves into the region of interest and then stays for an extended amount of time.
Objects Crossing Beam	The event is triggered when the specified number of objects have crossed the directional beam that is configured over the camera's field of view. The beam can be unidirectional or bidirectional.
Object Appears or Enters Area	The event is triggered by each object that enters the region of interest. This event can be used to count objects.
Object Not Present in Area	The event is triggered when no objects are present in the region of interest.
Objects Enter Area	The event is triggered when the specified number of objects have entered the region of interest.
Objects Leave Area	The event is triggered when the specified number of objects have left the region of interest.
Object Stops in Area	The event is triggered when an object moves into a region of interest and then stops moving for the specified threshold time.
Direction Violated	The event is triggered when an object moves in the prohibited direction of travel.
Tamper Detection	The event is triggered when the scene unexpectedly changes.

SUPPORTED CLASSIFIED OBJECT TYPES

Object Types in Outdoor Mode	Vehicle, sub-types: Car, Truck, Bicycle, Motorcycle, Bus Person
Object Types in Indoor Mode	Person

TEACH BY EXAMPLE

Teach By Example	Yes, when used with Avigilon Control Center™
------------------	--

AVIGILON CONTROL CENTER (ACC) VERSIONS SUPPORTED FEATURES

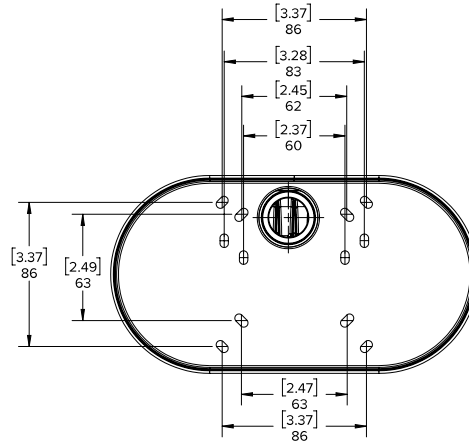
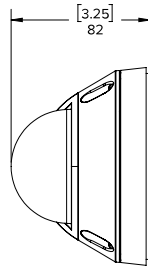
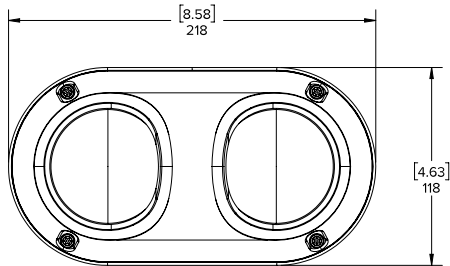
ACC Version 6.14.12 or higher	All supported analytic events with two types of classified objects: person or vehicle. Appearance search when paired with appropriate server hardware. H.265 supported.
ACC Version 7.2 or higher	All supported analytic events with people and vehicles and all vehicle sub-types as classified objects. Appearance search when paired with appropriate server hardware. H.265 supported.

OUTLINE DIMENSIONS

DUAL HEAD SURFACE MOUNT CAMERA

(H5DH-D1-IR/H5DH-DO1-IR)

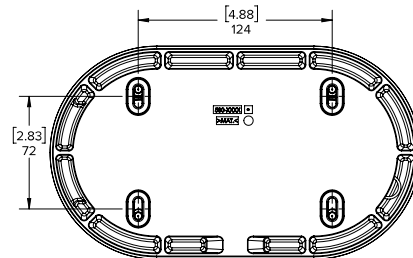
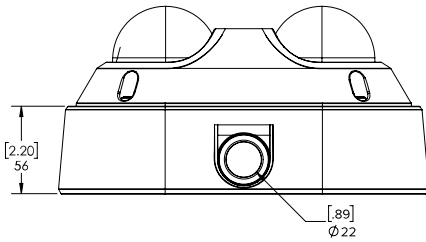
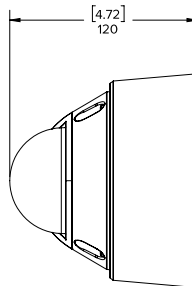
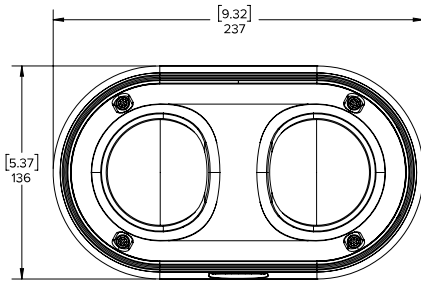
[X.X]	INCHES
X	MM



DUAL HEAD JUNCTION BOX MOUNT CAMERA

(H5DH-D1-IR/H5DH-DO1-IR WITH H5DH-DO-JBOX1 JUNCTION BOX)

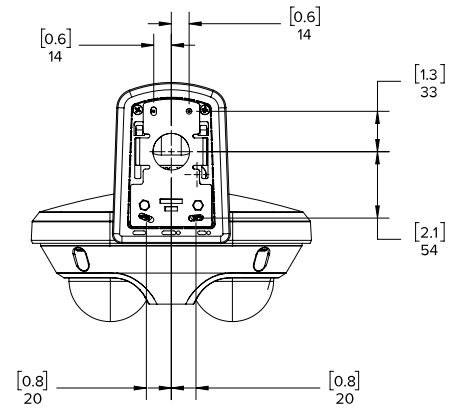
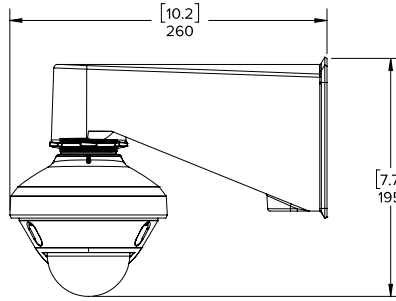
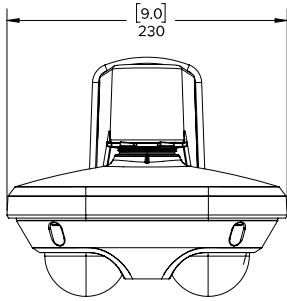
[X.X]	INCHES
X	MM



DUAL HEAD PENDANT MOUNT CAMERA

(H5DH-D1-IR/H5DH-DO1-IR WITH H5DH-MT-NPTA1 ADAPTER AND CM-MT-WALL1 WALL ARM)

[X.X]	INCHES
X	MM



ORDERING INFORMATION

	MP	WDR	ANALYTICS	LENS	IP66/IP67	IR LEDS
6.0C-H5DH-D1-IR (Discontinued)	2 × 3.0	✓	✓	3.35 - 7.0 mm		✓
6.0C-H5DH-D01-IR	2 × 3.0	✓	✓	3.35 - 7.0 mm	✓	✓
10.0C-H5DH-D1-IR (Discontinued)	2 × 5.0	✓	✓	3.35 - 7.0 mm		✓
10.0C-H5DH-D01-IR	2 × 5.0	✓	✓	3.35 - 7.0 mm	✓	✓

H5DH-DO-CLER1	Replacement outdoor dome cover
H5DH-DI-CLER1	Replacement indoor dome cover
H5DH-DO-JBOX1	Optional junction box mounting adapter
H5DH-MT-NPTA1	Optional pendant NPT mounting adapter
CM-MT-WALL1	Pendant wall mount arm
PLMT-1001	Aluminum pole mounting bracket for pendant dome cameras, compatible with CM-MT-WALL1
CRNMT-1001	Aluminum corner mounting bracket for pendant dome cameras, compatible with CM-MT-WALL1

OPTIONAL CAMERA LICENSES AND ACCESSORIES

CAM-FIPS	Camera license to enable FIPS Level 1 cryptographic mode on any H5A camera
----------	--

[†] Excludes H5A Explosion-Protected camera line.

SUPPORT

Learn more and find additional documentation at [avigilon.com](https://www.avigilon.com) or email sales@avigilon.com for specific product support.



Nov 2023 | Rev 11

© 2021 - 2023, Motorola Solutions, Inc. All rights reserved. MOTOROLA, MOTO, MOTOROLA SOLUTIONS, and the Stylized M Logo are trademarks or registered trademarks of Motorola Trademark Holdings, LLC and are used under license. AVIGILON, the AVIGILON logo, AVIGILON CONTROL CENTER, ACC, HDSM SmartCodec and LIGHTCATCHER are trademarks of Avigilon Corporation. The absence of the symbols ™ and ® in proximity to each trademark in this document or at all is not a disclaimer of ownership of the related trademark. All other trademarks are the property of their respective owners.