

# H5A Corner Camera

3 MP

5 MP

The Avigilon H5A Corner camera is an anti-ligature and no-grip solution that is purpose-built to withstand the harshest attempts to destroy, detach, attach or disable it. Facilities seeking a vandal-resistant camera such as jails, prisons, hospitals or general applications (e.g. high schools) can leverage the camera's wide field of view and superior image quality for optimal situational awareness.

As an Avigilon H5 platform camera, the H5A Corner Camera is embedded with Next-Generation Video Analytics for enhanced object detection and classification, Unusual Activity Detection (UAD), Facial Recognition technology and Avigilon Appearance Search<sup>TM</sup> technology support to help ensure critical events do not go unnoticed.



## Features



### NEXT-GENERATION VIDEO ANALYTICS

Detects more objects with expanded object classifications and greater accuracy for faster responses, even in crowded scenes.



### EASY TO CLEAN & REPAIR

Stainless steel variant and water-resistant design makes it easy to clean. Part replacements are simple using conventional tools without having to remove the entire camera, minimizing downtime.



### H.264 AND H.265 WITH HDSM SMARTCODEC<sup>TM</sup> TECHNOLOGY

Optimizes compression levels for regions in a scene to help maximize bandwidth savings and keep internet connectivity costs down.



### WATER, IMPACT & ENCLOSURE RATED

IP67 rating for water resistance, IK10+ impact rating for vandal resistance and NEMA 4X enclosure rating\* for windblown dust, water (e.g. rain, hose-directed water) and corrosion resistance.



### FIPS 140-2 COMPLIANT

Enables the camera to be deployed at sites requiring FIPS-compliant cryptography.



### EXTENDED TEMPERATURE RANGE

Continuously records between -40° C to 55° C (-40° F to 131° F).



### ONVIF<sup>®</sup> COMPLIANT

Native ONVIF Profile S, T and G compliance allows easy integration with existing ONVIF infrastructures.



### INVISIBLE IR LED LIGHT

Ensures there is no visible glow to disturb the subject being monitored or notify them that the camera is on.



### AUDIO RECORDING CAPABILITIES

Records audio evidence via a built-in microphone that can be disabled if desired.



### LIGHTCATCHER<sup>TM</sup> TECHNOLOGY

Offers excellent image detail in low-light settings.

# Specifications

		3.0 MP	5.0 MP	
<b>IMAGE PERFORMANCE</b>	Image Sensor	1/2.8" progressive scan CMOS		
	Max Resolution (H x V) and Aspect Ratio	(4:3) 2048 x 1536 (16:9) 1920 x 1080	(4:3) 2592 x 1944 (16:9) 2560 x 1440	
	Dynamic Range	WDR Off	83 dB	
		WDR On	126 dB	
	Max Image Rate	WDR off (50 Hz/60 Hz): 25 fps/30 fps WDR on (50 Hz/60 Hz): 20 fps/20 fps		
	Bandwidth Management	HDSM SmartCodec technology; Idle scene mode		
	3D Noise Reduction Filter	Yes		
<b>LENS AND IR ILLUMINATION</b>	Lens	3 - 9 mm		
	IR Illumination Max Distance <sup>1</sup> (high power 940 nm LED)	15 m (49 ft)		
	Minimum Illumination	0.027 lux in color mode, 0.014 lux in monochrome mode, 0 lux with IR		
	Horizontal Angle of View Based on Aspect Ratio	(16:9)(4:3) 34° – 105°		
	Vertical Angle of View Based on Aspect Ratio	(16:9) 19° – 57° (4:3) 26° – 77°		
	Max Aperture	F1.3		
	Control	P-Iris, Remote Focus and Zoom		
		<sup>1</sup> IR illumination power may be reduced at higher operating temperatures.		
<b>IMAGE CONTROL</b>	Image Compression Method	H.264 HDSM SmartCodec, H.265 HDSM SmartCodec, Motion JPEG		
	Streaming	Multi-stream H.264, Multi-stream H.265, Motion JPEG, HDSM™ 2.0		
	Motion Detection	Pixel motion: Selectable sensitivity and threshold. Classified object detection		
	Camera Tamper Detection	Yes		
	Electronic Shutter Control	Automatic, Manual (1/7 to 1/8196 sec)		
	Iris Control	Automatic, Open, Closed		
	Day/Night Control	Automatic, Manual		
	Flicker Control	60 Hz, 50 Hz		
	White Balance	Automatic, Manual		
	Backlight Compensation	Adjustable		
	Privacy Zones	Up to 64 zones		
<b>NETWORK</b>	Network	100BASE-TX, RJ45 Connector, CAT5e Cabling		
	ONVIF	ONVIF compliance version 1.02, 2.00, Profile S, Profile T, Profile G ( <a href="http://www.onvif.org">www.onvif.org</a> )		
	Security	Password protection, HTTPS encryption, digest authentication, WS authentication, user access log, 802.1x port based authentication, FIPS 140-2 L1		
	Protocols	IPv6, IPv4, HTTP, HTTPS, SOAP, DNS, NTP, RTSP, RTCP, RTP, TCP, UDP, IGMP, ICMP, DHCP, Zeroconf, ARP		
	Streaming Protocols	RTP/UDP, RTP/UDP multicast, RTP/RTSP/TCP, RTP/RTSP/HTTP/TCP, RTP/RTSP/HTTPS/TCP, HTTP		
	Device Management Protocols	SNMP v2c, SNMP v3		
<b>PERIPHERALS</b>	USB Port	USB 2.0		
	Onboard Storage	microSD/microSDHC/microSDXC slot – class 10/UHS-1 or better recommended		
<b>AUXILIARY I/O</b>	Audio Compression Method	G.711 PCM 8 kHz, Opus		
	Audio Input/Output	Line level I/O or built-in microphone		
	External I/O Terminals	Alarm In, Alarm Out		
<b>MECHANICAL</b>	Dimensions (LxWxH)	163 mm x 163 mm x 121 mm; 6.4" x 6.4" x 4.8"		
	Weight	3.21 kg (7.2 lbs)		
	Dome Bubble	Polycarbonate		
	Body	Stainless steel / Cold rolled steel		
	Housing	Corner mount, vandal resistant		
	Finish	Bead blasted and electro-polished / Powder coat, RAL 9003		
	Recording LED	Yes		
	Built-in Microphone	Yes		
	Adjustment Range	±5° tilt		
<b>ELECTRICAL</b>	Power Consumption	13 W max (11 W with no IR or IR disabled)		
	Power Source	VDC: 12 V ± 10%, 12 W min	VAC: 24 V ± 10%, 13 VA min	PoE: IEEE802.3af Class 3 compliant
	RTC Backup Battery	3V manganese lithium		
<b>ENVIRONMENTAL</b>	Operating Temperature	-40 °C to +55 °C (-40 °F to 131 °F)		
	IR Illuminator Behavior	IR illuminator will turn off if the temperature is 50 °C (122 °F) or higher. The illuminator will operate at 50% power if the temperature is between 40 °C (104 °F) and 49 °C (120 °F). Hysteresis: 2 °C (3.6 °F).		
	Storage Temperature	-10 °C to +70 °C (14 °F to 158 °F)		
	Humidity	0 - 95% non-condensing		

# Specifications (Con't)

<b>CERTIFICATIONS</b>	Certifications/Directives	UL, cUL, CE, ROHS, Reach (SVHC), RCM
	Safety	UL 62368-1, CSA 62368-1, IEC/EN 62368-1, IEC 62471 (with -IR option)
	Environmental	UL/CSA/IEC 60950-22, IEC 60529 IP66 and IP67 Weather Rating, NEMA 4X for stainless steel enclosure only, IK10+ Impact Rating
	Electromagnetic Emissions	FCC Part 15 Subpart B Class B, IC ICES-003 Class B, EN 55032 Class B, EN 61000-6-3, EN 61000-3-2, EN 61000-3-3
	Electromagnetic Immunity	EN 55035, EN 61000-6-1

# Analytics Specifications

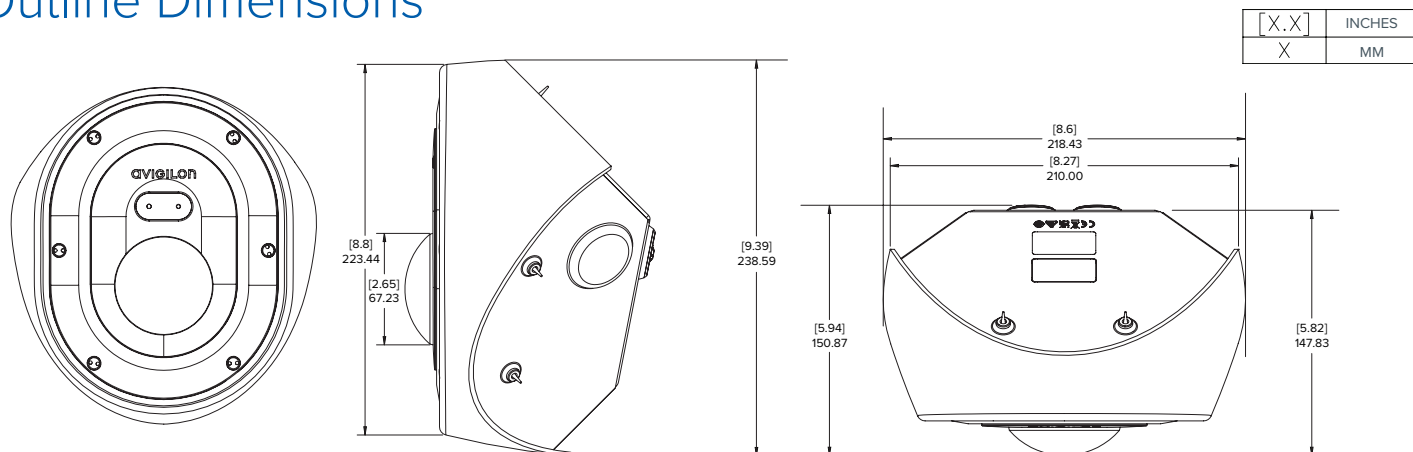
<b>SUPPORTED ANALYTICS EVENTS</b>	Objects in Area	The event is triggered when the selected object type moves into the region of interest.
	Object Loitering	The event is triggered when the selected object type moves into the region of interest and then stays for an extended amount of time.
	Objects Crossing Beam	The event is triggered when the specified number of objects have crossed the directional beam that is configured over the camera's field of view. The beam can be unidirectional or bidirectional.
	Object Appears or Enters Area	The event is triggered by each object that enters the region of interest. This event can be used to count objects.
	Object Not Present in Area	The event is triggered when no objects are present in the region of interest.
	Objects Enter Area	The event is triggered when the specified number of objects have entered the region of interest.
	Objects Leave Area	The event is triggered when the specified number of objects have left the region of interest.
	Object Stops in Area	The event is triggered when an object moves into a region of interest and then stops moving for the specified threshold time.
	Direction Violated	The event is triggered when an object moves in the prohibited direction of travel.
	Tamper Detection	The event is triggered when the scene unexpectedly changes.

<b>SUPPORTED CLASSIFIED OBJECT TYPES</b>	Object Types in Outdoor Mode	Vehicle, sub-types: Car, Truck, Bicycle, Motorcycle, Bus Person
	Object Types in Indoor Mode	Person

<b>TEACH BY EXAMPLE</b>	Teach By Example	Yes, when used with Avigilon Control Center™
-------------------------	------------------	--

<b>AVIGILON CONTROL CENTER (ACC) VERSIONS SUPPORTED FEATURES</b>	ACC Version 6.14.12 or higher	All supported analytic events with two types of classified objects: person or vehicle. Appearance search when paired with appropriate server hardware. H.265 supported.
	ACC Version 7.2 or higher	All supported analytic events with people and vehicles and all vehicle sub-types as classified objects. Appearance search when paired with appropriate server hardware. H.265 supported.

# Outline Dimensions



# Ordering Information

	MP	WDR	Analytics	Lens	IR	Body	Finish
3.0C-H5A-CR1-IR	3.0	✓	✓	3 - 9 mm	✓	Cold Rolled Steel	Powder Coat
3.0C-H5A-CR1-IR-SS	3.0	✓	✓	3 - 9 mm	✓	Stainless Steel	Bead Blasted & Polished
5.0C-H5A-CR1-IR	5.0	✓	✓	3 - 9 mm	✓	Cold Rolled Steel	Powder Coat
5.0C-H5A-CR1-IR-SS	5.0	✓	✓	3 - 9 mm	✓	Stainless Steel	Bead Blasted & Polished

H4-AC-WIFI2-NA / H4-AC-WIFI2-EU	USB Wi-Fi adapter
CM-AC-AVIO1	3.5 mm jack with 1.8 m fly wire